

ESPUMO ₀₈

EVERA ₁₆

ESTILO ₂₄

VOX GUIDE ₃₀





FREEDOM BEGINS
at home

At VOX, we believe that true freedom begins at home and that in interiors personal needs and lifestyle of all household members are more important than defined stylistics. Therefore, our goal is to inspire, advise and deliver complex interior solutions - matching collections of furniture, doors, floors and decorative walls.





DETAIL MATTERS

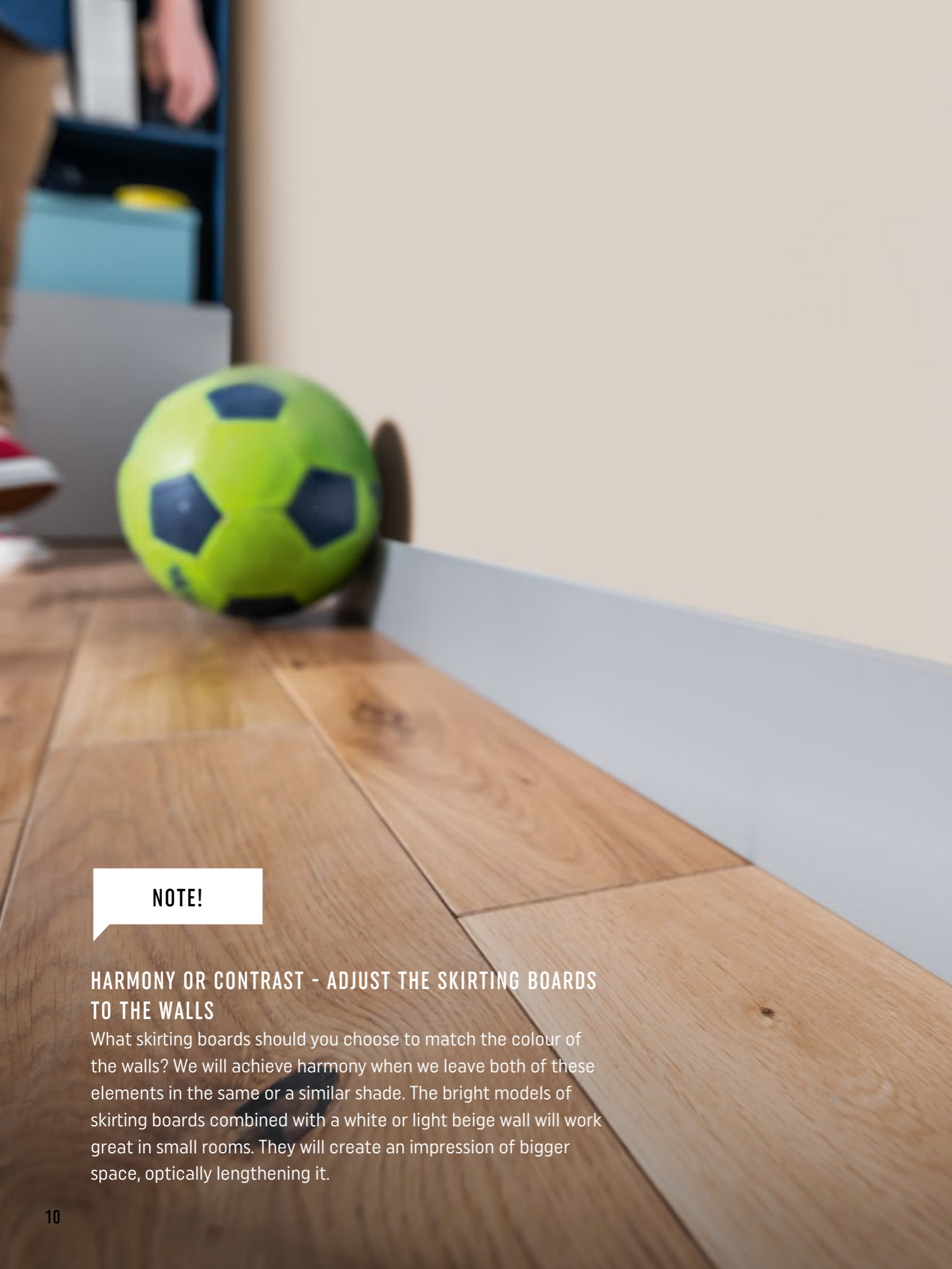
There are details that can change everything. Skirting boards are an often underrated element of an interior, yet, they can decide about its character. VOX skirting boards are designed either to match the interiors arrangement on the basis of colour and stylistic consistency or stand out on a principle of contrast.

There are three VOX skirting boards collections: Espumo, Evera and Estilo. Each of them responds to different needs. Espumo made in the Kerracore technology is light yet extremely resistant. The main advantage of the Evera skirting board made of MDF is quick installation with glue and Estilo are distinguished by the possibility of hiding electrical wires.



ESPUMO

The Espumo collection includes modern skirting boards that will give character to each kind of interior. White skirting boards will blend in perfectly with white walls, while grey and black ones will suit more bold arrangements. The 12 cm high skirting boards are a novelty in the offer.



NOTE!

HARMONY OR CONTRAST - ADJUST THE SKIRTING BOARDS TO THE WALLS

What skirting boards should you choose to match the colour of the walls? We will achieve harmony when we leave both of these elements in the same or a similar shade. The bright models of skirting boards combined with a white or light beige wall will work great in small rooms. They will create an impression of bigger space, optically lengthening it.

ESPUMO SKIRTING BOARDS. DIFFERENT FROM OTHERS

LIGHT-WEIGHT AND STRONG

The Espumo skirting board is made of light foamed inner layer and hard external layer which makes it resistant to impact or water.

DEDICATED FINISHING ACCESSORIES

All Espumo models may be finished with plastic end caps that match each shape and colour in the Espumo collection.

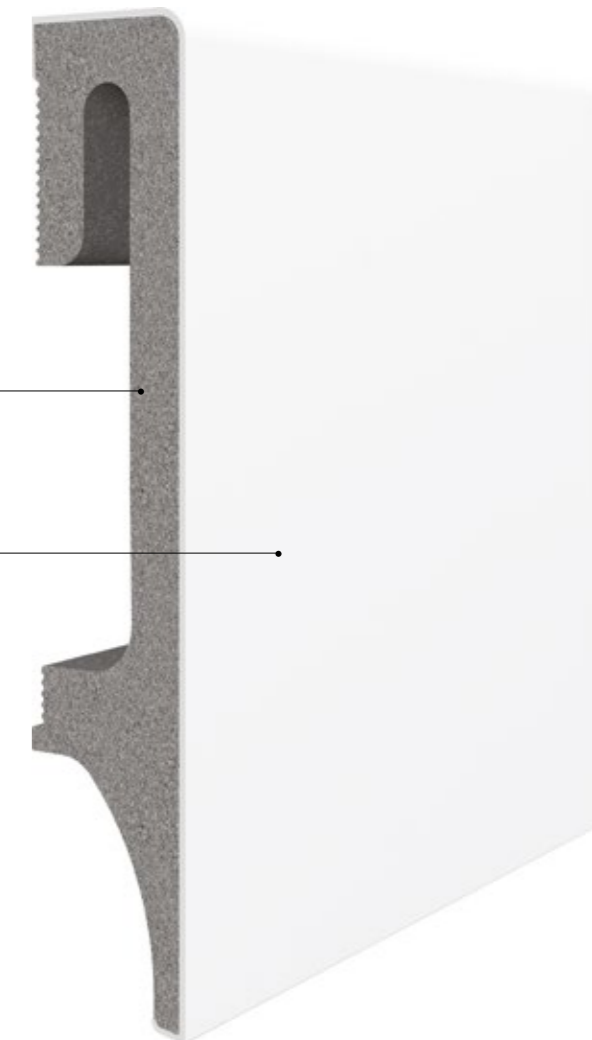
LIGHT FOAMED
LAYER

HARD EXTERNAL LAYER PROVIDING
DURABILITY



**PIOTR SZCZĘŚNIAK
TECHNICAL EXPERT**

The material from which Espumo skirting boards are made does not soak up water from either side, and as a result it does not distort. It does not soak up any moisture from the air or the moisture emitted from the walls or floors. Therefore, it will be perfect for installation in new apartments, in which the walls give back moisture for some time after they are handed over for use. Espumo skirtings are suitable for finishing ceramic tiles and can be used in the bathroom or hall.



IMPACT
RESISTANT



WATER
RESISTANT



GLUED TO THE
WALL

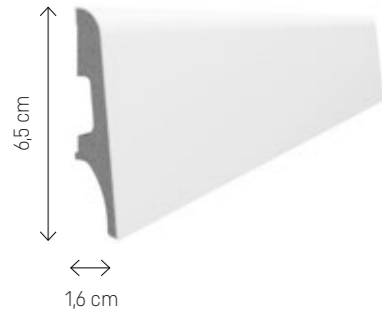


FINISHING
ACCESSORIES

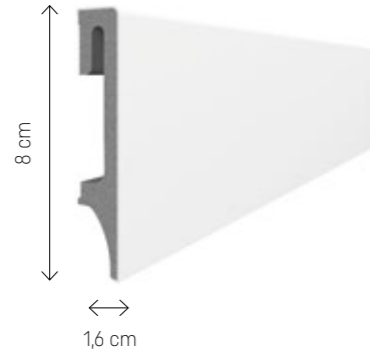
WHITE ESPUMO

Length: 240 cm

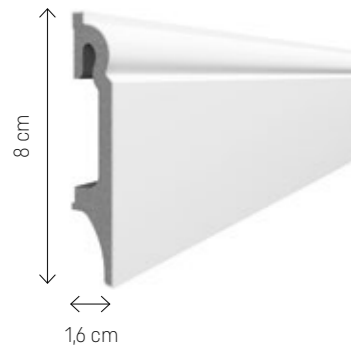
ESP 101



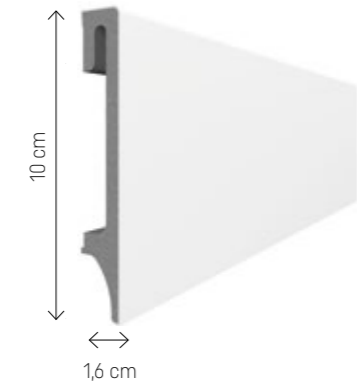
ESP 201



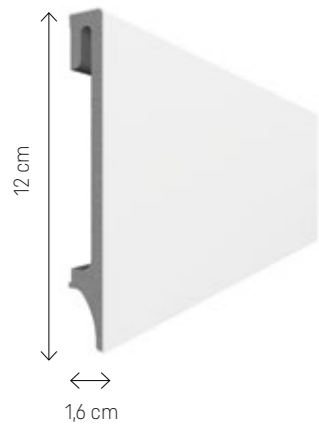
ESP 301



ESP 401



ESP 501



END CAPS



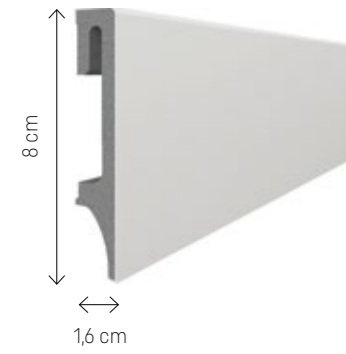
All Espumo models have end caps matching their colour and shape.



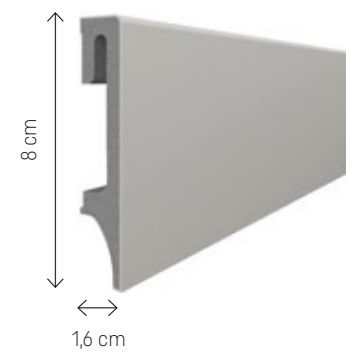
GREY ESPUMO

Length: 240 cm

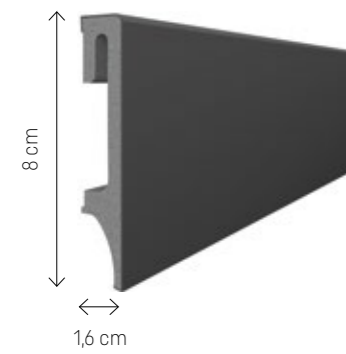
ESP 202



ESP 203



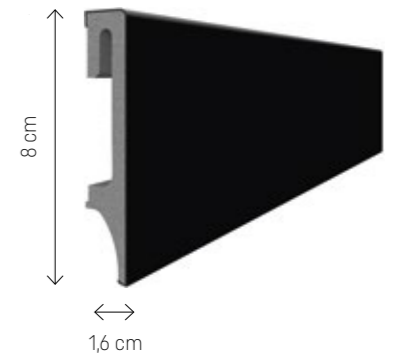
ESP 205



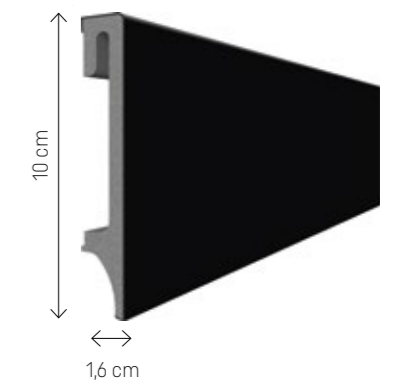
BLACK ESPUMO

Length: 240 cm

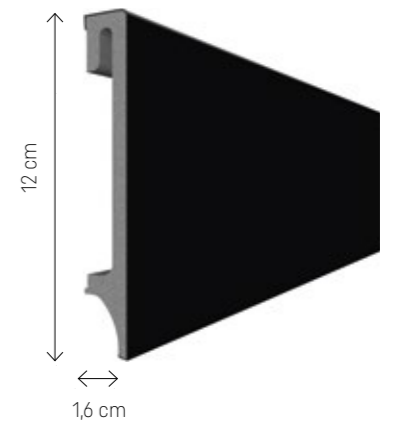
ESP 206



ESP 406



ESP 506





EVERA

The collection of Evera skirting boards consists of several stylistic forms made of MDF. Minimalistic, modern patterns or decorative shapes - everyone will find something for themselves.



EVERA SKIRTING BOARDS. THE CHOICE IS YOURS

WIDE RANGE

White, shades of grey and black - Evera collection is the whole spectrum of possibilities when it comes to colour as well as height or shape.

ATTRACTIVE

Made of MDF, it looks great thanks to a perfectly smooth surface.

EASY TO INSTALL

The Evera skirting board is mounted with glue directly to the wall. Quickly, independently, without special skills and professional tools.

NON-INVASIVE INSTALLATION WITH GLUE

PERFECTLY SMOOTH SURFACE



**NATALIA POLAKOWSKA
DESIGNER**

Evera is a collection in which white skirting boards dominate. White is noble and subtle, and the white skirting boards add lightness to the space and emphasize it perfectly.



WELL DESIGNED



NON-INVASIVE
INSTALLATION



INSTALLATION
WITH GLUE

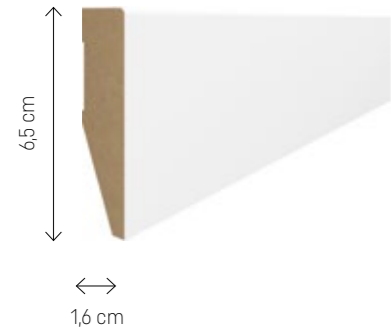


FINISHING
ACCESSORIES

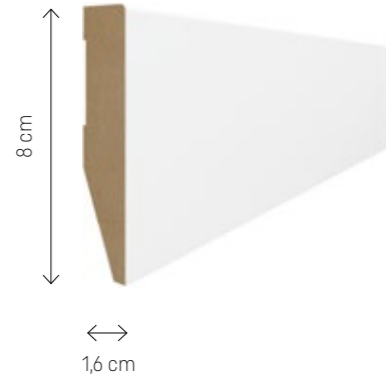
EVERA

Length: 240 cm

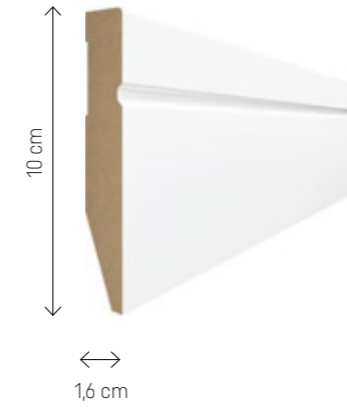
EV 101



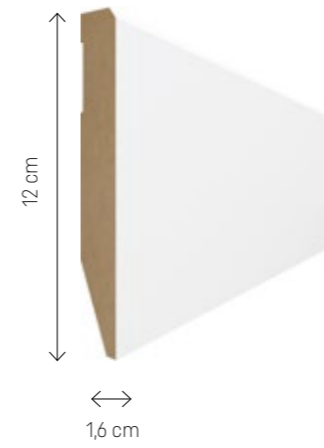
EV 201



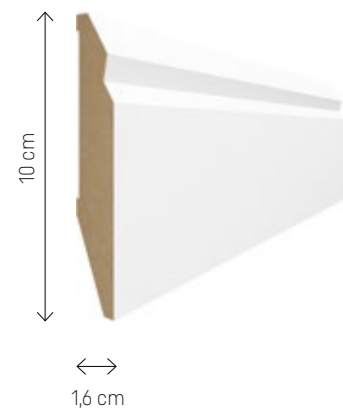
EV 301



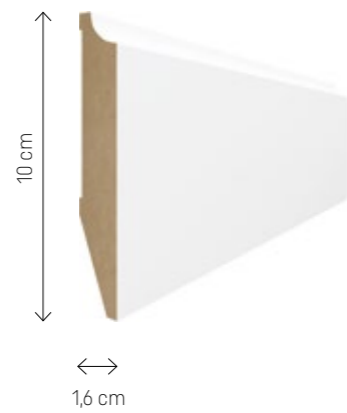
EV 401



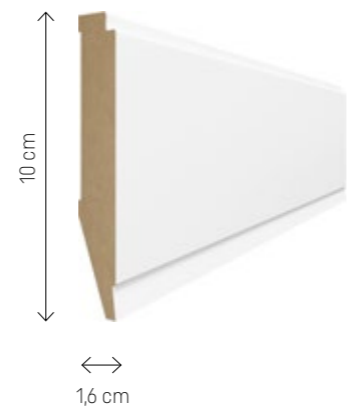
EV 501



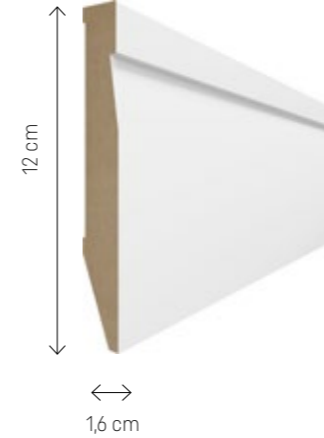
EV 601



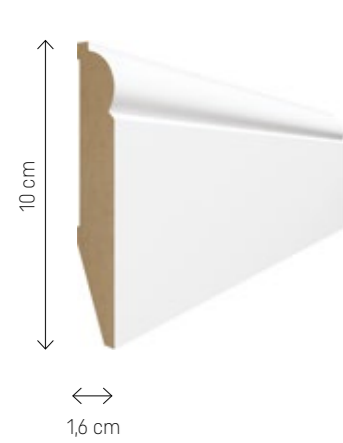
EV 701



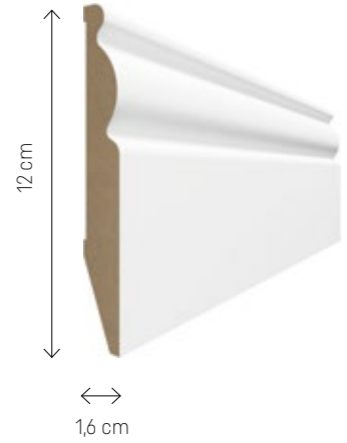
EV 801



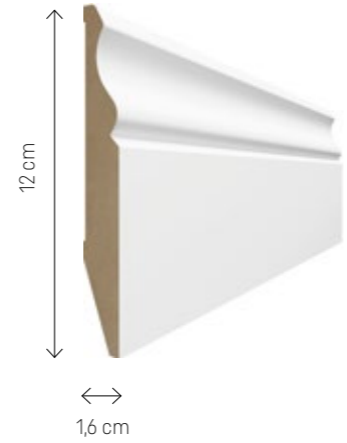
EV 901



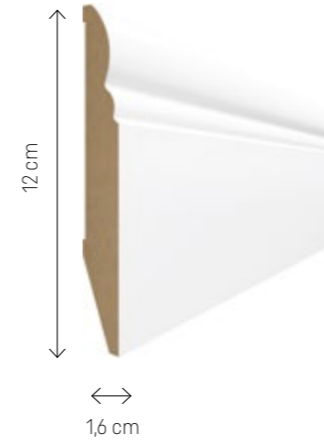
EV 1001



EV 1101



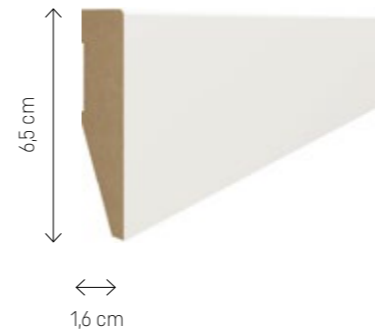
EV 1201



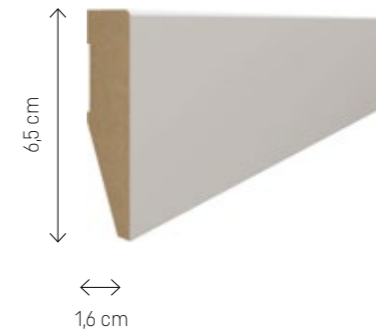


EVERA

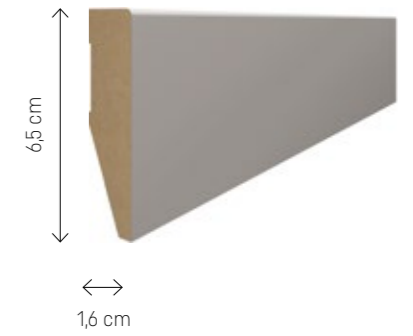
EV 102



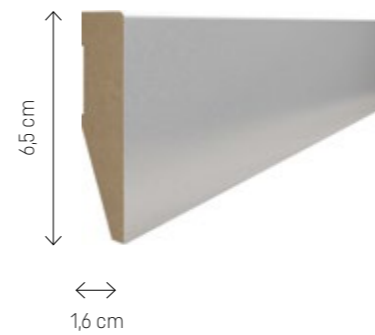
EV 103



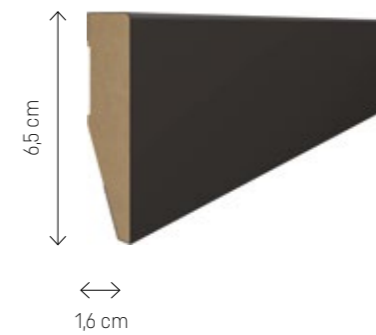
EV 104



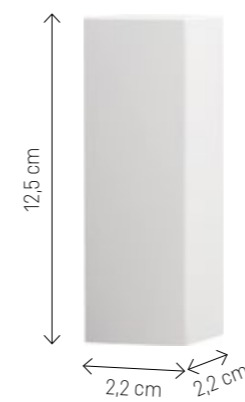
EV 106



EV 107



UNIVERSAL BLOCK



The block is available in all Evera colours.

SELF-ADHESIVE END CAPS



Self-adhesive end caps are available in all shapes and colours of Evera skirting boards.



ESTILO

The collection of Estilo skirting boards consists of seven shapes, carefully refined in detail, the design of which assumes an aesthetic combination of MDF with a plastic clip. It's a universal collection of white skirting boards that will match any floor.



ESTILO. SMART AND BEAUTIFUL

CABLE CHAMBER

VERSATILE

Like all VOX skirting boards, Estilo is available in various shapes and heights. You can finish it by cutting it at an angle of 45° or using in the corners universal blocks - as you prefer.

PRACTICAL

The design of the Estilo skirting boards allows you to hide electric cables in them. Bendable flexible element also increases the resistance of the skirting boards to impact and moisture. Fastening with mounting pins to the wall provides the skirting boards with stability.



WELL
DESIGNED



CABLE
CHAMBER



INSTALLATION
WITH MOUNTING
PINS

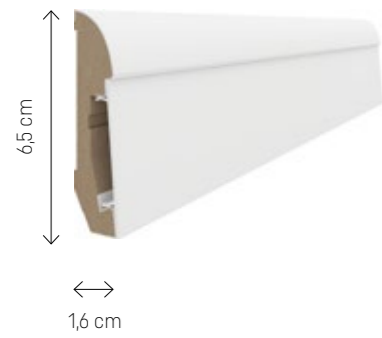


FINISHING
ACCESSORIES

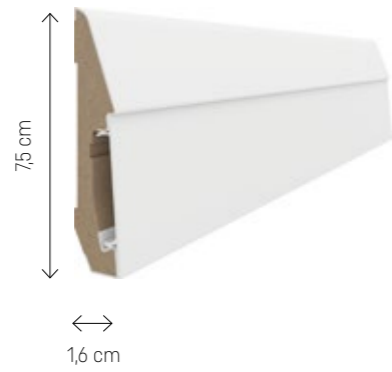
ESTILO

Length: 240 cm

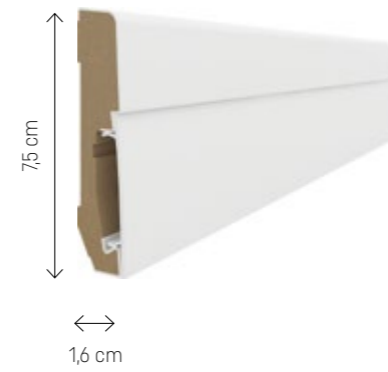
E101



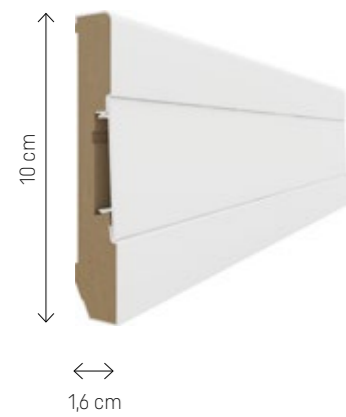
E201



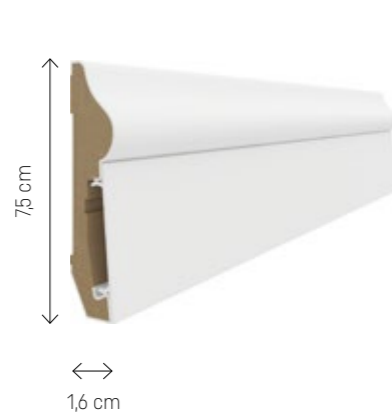
E301



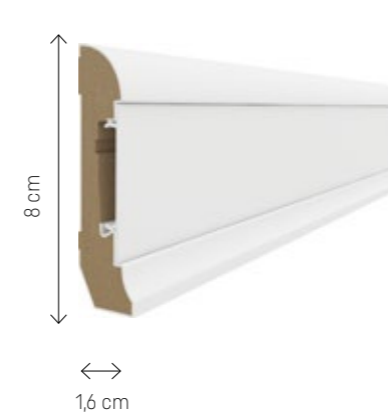
E401



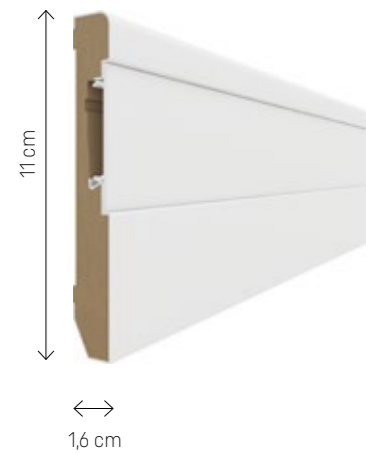
E501



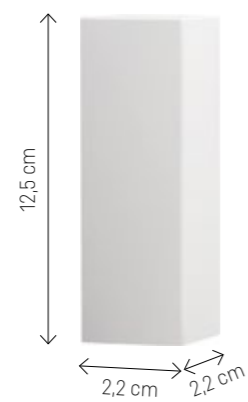
E601



E701



UNIVERSAL BLOCK



SELF-ADHESIVE END CAPS



Self-adhesive end caps are available for all Estilo shapes.

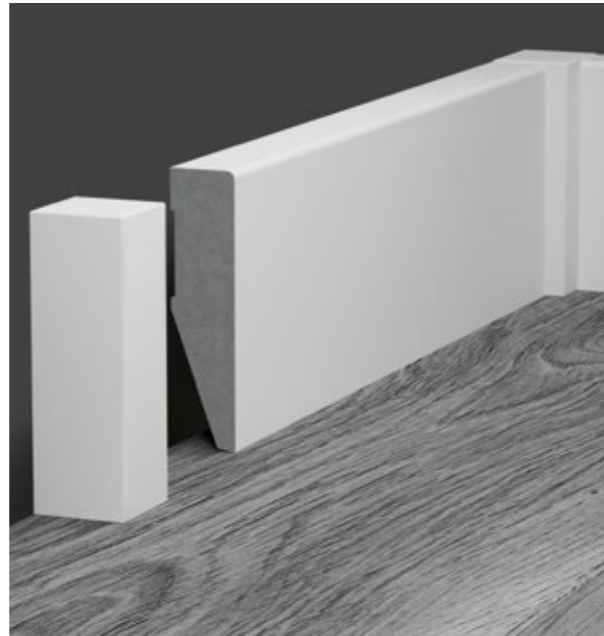


VOX GUIDE

Every detail is important. That is why in our offer you will find accessories that will improve the installation of the skirting boards.

A UNIVERSAL BLOCK AS A CORNER

If you want to avoid cutting the skirting boards at a 45 ° angle, insert a block into the corner by trimming it in advance from the bottom to the height of the skirting board.



A UNIVERSAL BLOCK AS AN END CAP

It can be used as a finishing accessory of the skirting board or as a connector between the skirting boards made of MDF. The block is attached to the skirting boards with assembly glue.

EASY WAY TO FINISH THE SKIRTING BOARDS






The end cap allows you to finish the skirting boards in an aesthetic way and hide its construction elements.



PERFECT MATCH

The end caps fit perfectly to the shape and the colour of an each VOX skirting board model.

SKIRTING BOARDS KEY FEATURES

FEATURE	ESPUMO	EVERA	ESTILO
 INSTALLATION WITH GLUE	✓	✓	—
 INSTALLATION WITH A MOUNTING PIN	—	—	✓
 WATERPROOF	✓	—	—
 CABLE CHAMBER	✓	—	✓
 FINISHING ACCESSORIES	✓	✓	✓